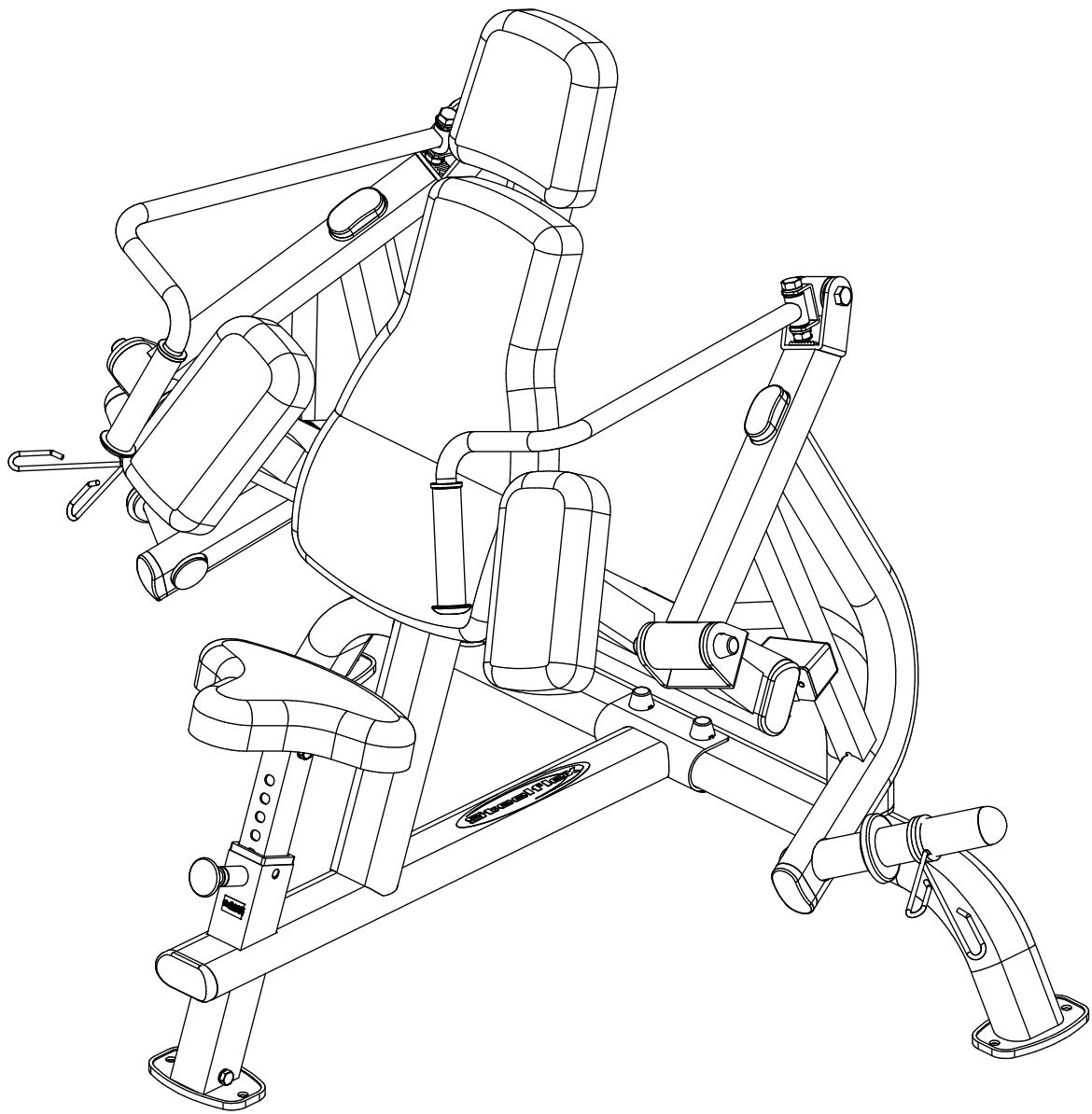


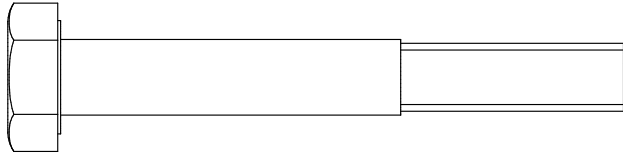
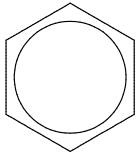
PLTE



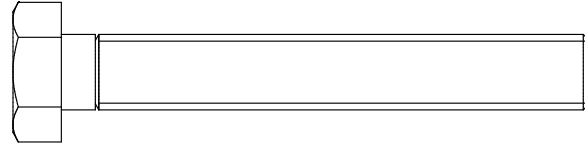
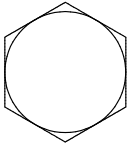
Assembly & Instructions
OWNER'S & MANUAL

PLTE HARDWARE

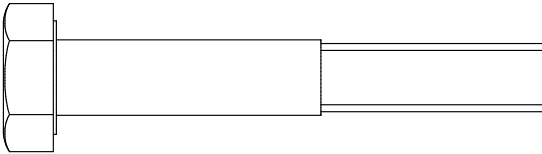
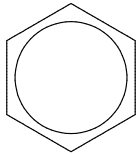
(shown in actual size)



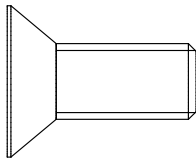
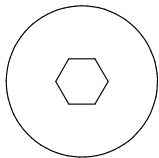
A1. M10x75 HEX HEAD SCREW...1PCS (Pre-installed)



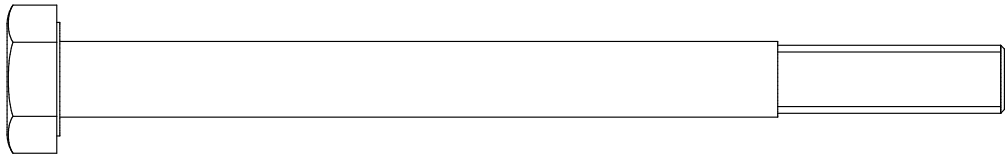
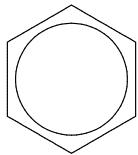
A2. M10x70 HEX HEAD SCREW...2PCS



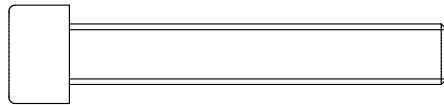
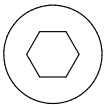
A3. M10x65 HEX HEAD SCREW (PARTIAL THREAD)...7PCS



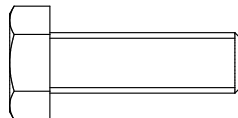
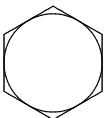
A4. M10x25 TAPER SCREW (FULL THREAD)...2PCS (Pre-installed)



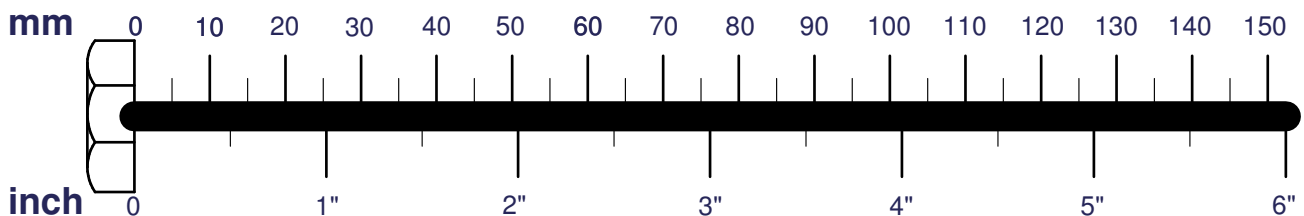
A5. M10x125 HEX HEAD SCREW (PARTIAL THREAD)...2PCS



A6. M8x50 SOCKET SCREW (FULL THREAD)...4PCS

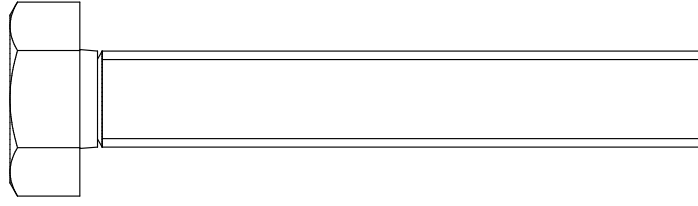
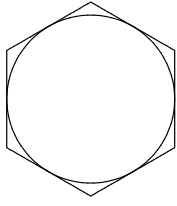


A7. M8x25 HEX HEAD SCREW (FULL THREAD)...13PCS

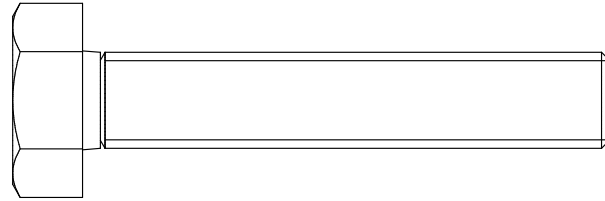
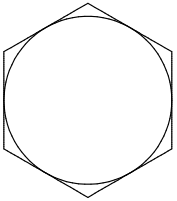


PLTE HARDWARE

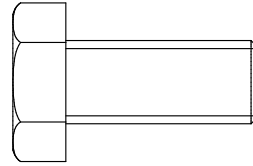
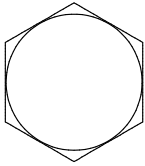
(shown in actual size)



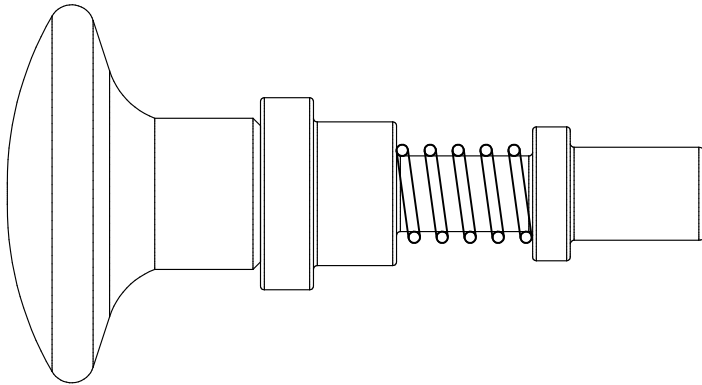
A8. 1/2" X 3 1/4" HEX HEAD SCREW...2PCS



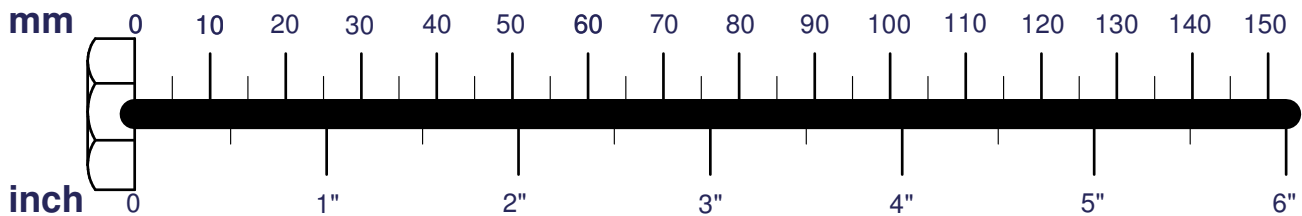
A9. 1/2" X 2 3/4" HEX HEAD SCREW...2PCS (pre-installed)



A10. M12 X 25 HEX HEAD SCREW...2PCS

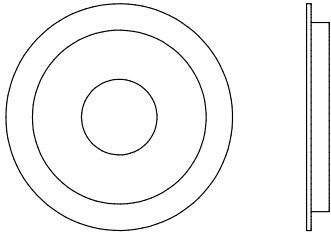


A11. 1/2"x38L POP PIN (8250-065G)...1PCS (Pre-installed)

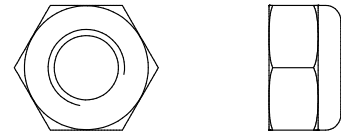


PLTE HARDWARE

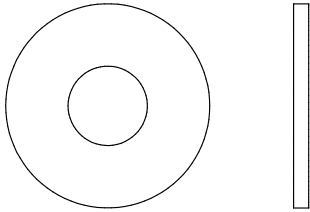
(shown in actual size)



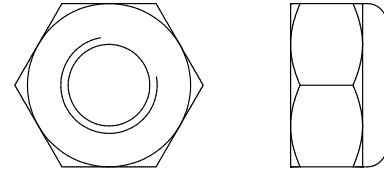
C1. M10 PLATE WASHER(Ø30)...16PCS



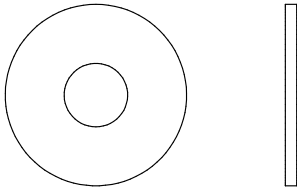
B1. M10 NYLON LOCK NUT...10PCS
(Pre-installed 1)



C2. M10 WASHER(Ø27)...2PCS



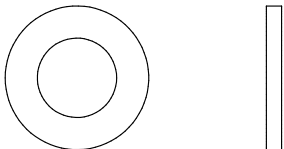
B2. 1/2" NYLON LOCK NUT...4PCS
(Pre-installed 2)



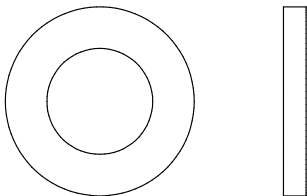
C3. M8 WASHER(Ø24)...13PCS



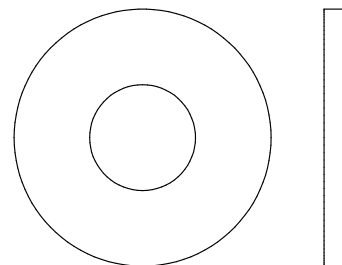
C4. M8 SPRING WASHER...13PCS



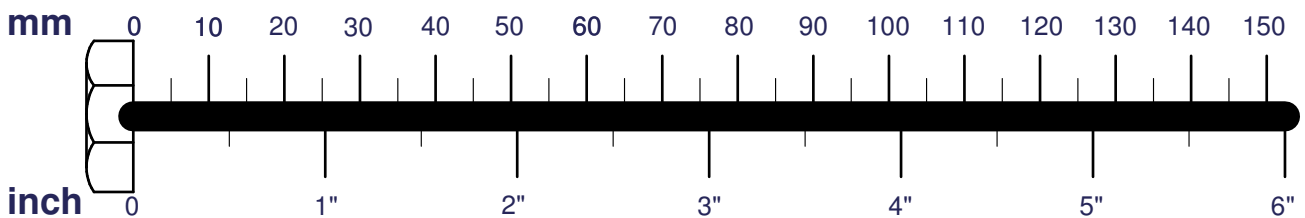
C5. M10 WASHER(Ø19)...2PCS (Pre-installed)



C6. 1/2" WASHER(Ø25)...4PCS (pre-installed)

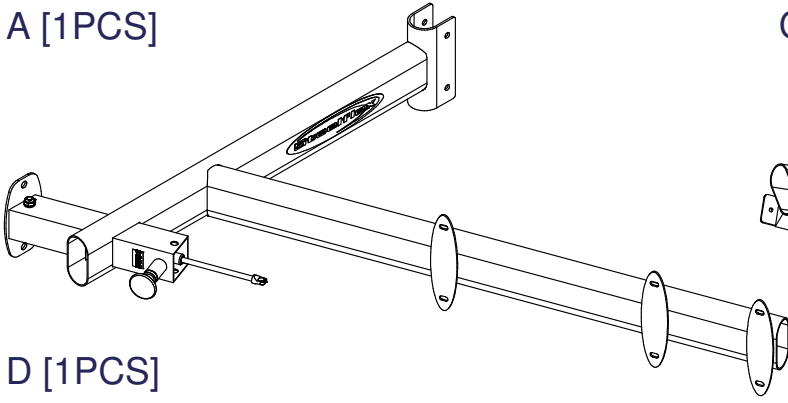


C7. M12 WASHER(Ø34)...2PCS

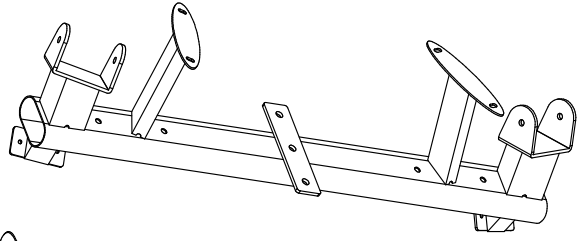


PLTE PARTS

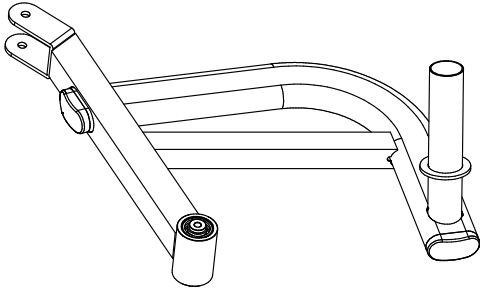
A [1PCS]



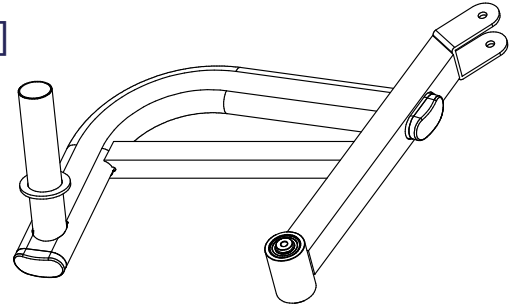
C [1PCS]



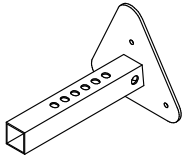
D [1PCS]



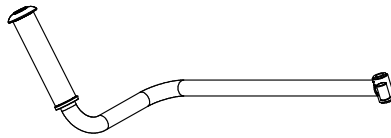
E [1PCS]



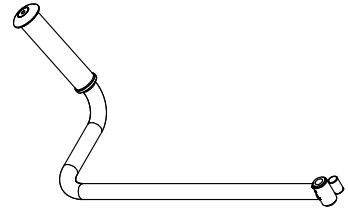
F [1PCS]



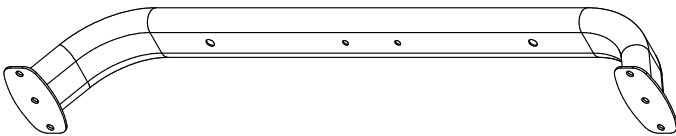
H [1PCS]



HR [1PCS]



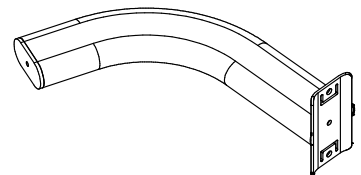
I [1PCS]



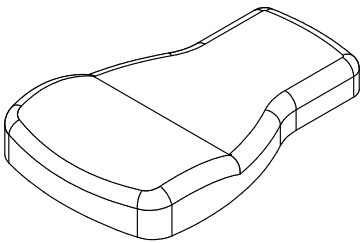
J [2PCS]



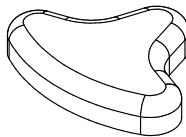
K [2PCS]



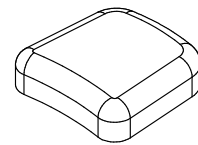
M [1PCS]
9111072



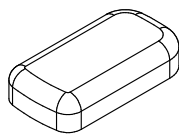
N [1PCS]
9144016



P [1PCS]
9131025



Q [2PCS]
9131037



PLTE PARTS

D1. End Closure (8130-131) pre-installed	[2PCS]
D2. Steel Casing (8120-084) pre-installed	[4PCS]
D3. Steel Casing (8530-009)	[2PCS]
D4. Ø50 End Cap (9211-020)	[2PCS]
D5. Ø50 ROUND End Cap (9211-074)	[2PCS]
D6. 40x80 End Cap (9211-113) pre-installed.....	[4PCS]
D7. 50x100 END CAP (9211-114)	[4PCS]
D8. Rubber Dount (9310-016)	[2PCS]
D9. Rubber Insert (9310-076)	[3PCS]
D10. Block Rubber (9310-077)	[2PCS]
D11. Pinch Cock (OC-06)	[2PCS]
D12. Cap Sleeve (9212-026)	[16PCS]
D13. Co er Washer (8520-001) pre-installed	[4PCS]
D14. 38X38 Rubber Pad (9310-001)	[2PCS]
D15. Bearing (8510-003) pre-installed	[4PCS]
D16. Bearing (8510-020) pre-installed	[4PCS]
D17. Steel Casing (8120-082) pre-installed.....	[4PCS]
D18. Foam Grip (9162-118) pre-installed	[2PCS]
D19. 60X60 Nylon Bushing (9211-047)	[1PCS]
D20. Hydraulic Seat Adjuster (8830-023) pre-installed	[1PCS]

D1



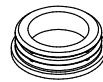
D2



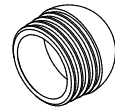
D3



D4



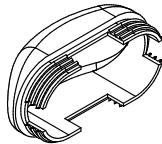
D5



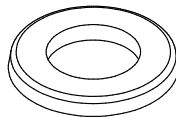
D6



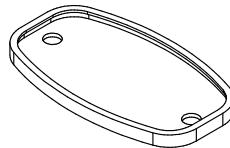
D7



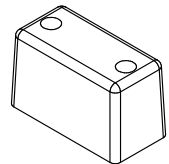
D8



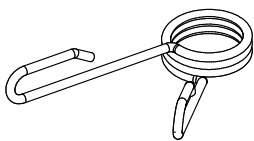
D9



D10



D11



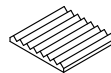
D12



D13



D14



D15



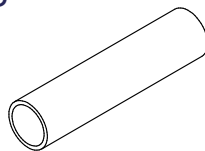
D16



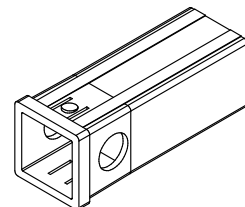
D17



D18



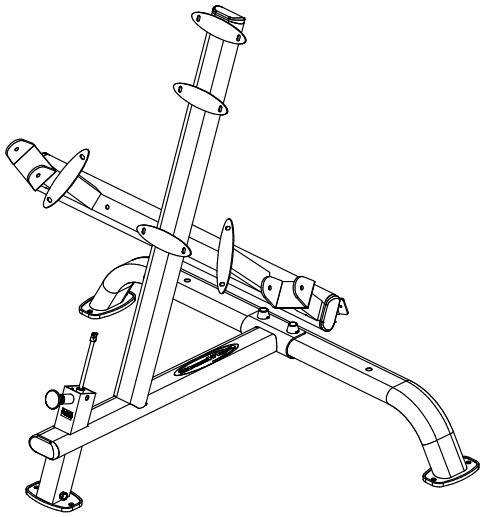
D19



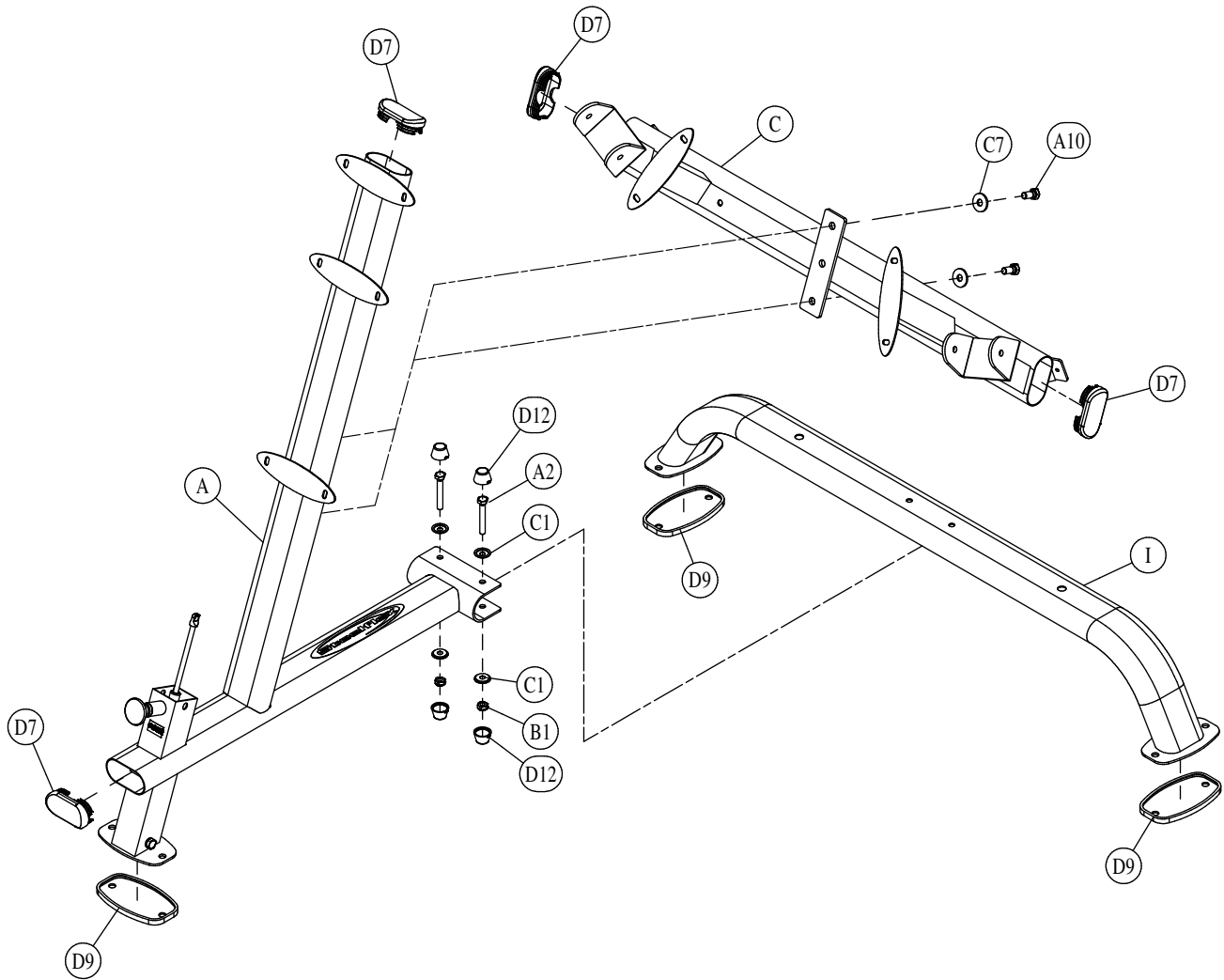
D20

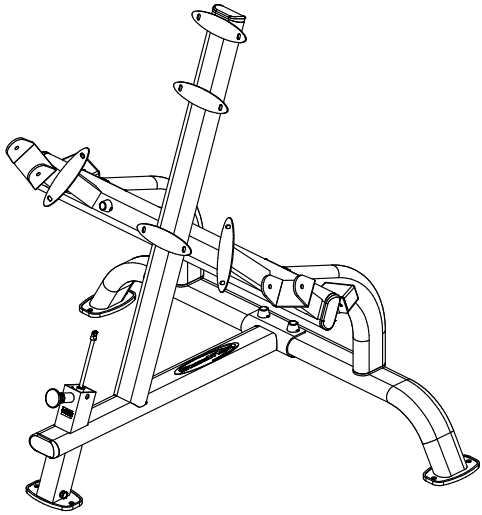


STEP
1

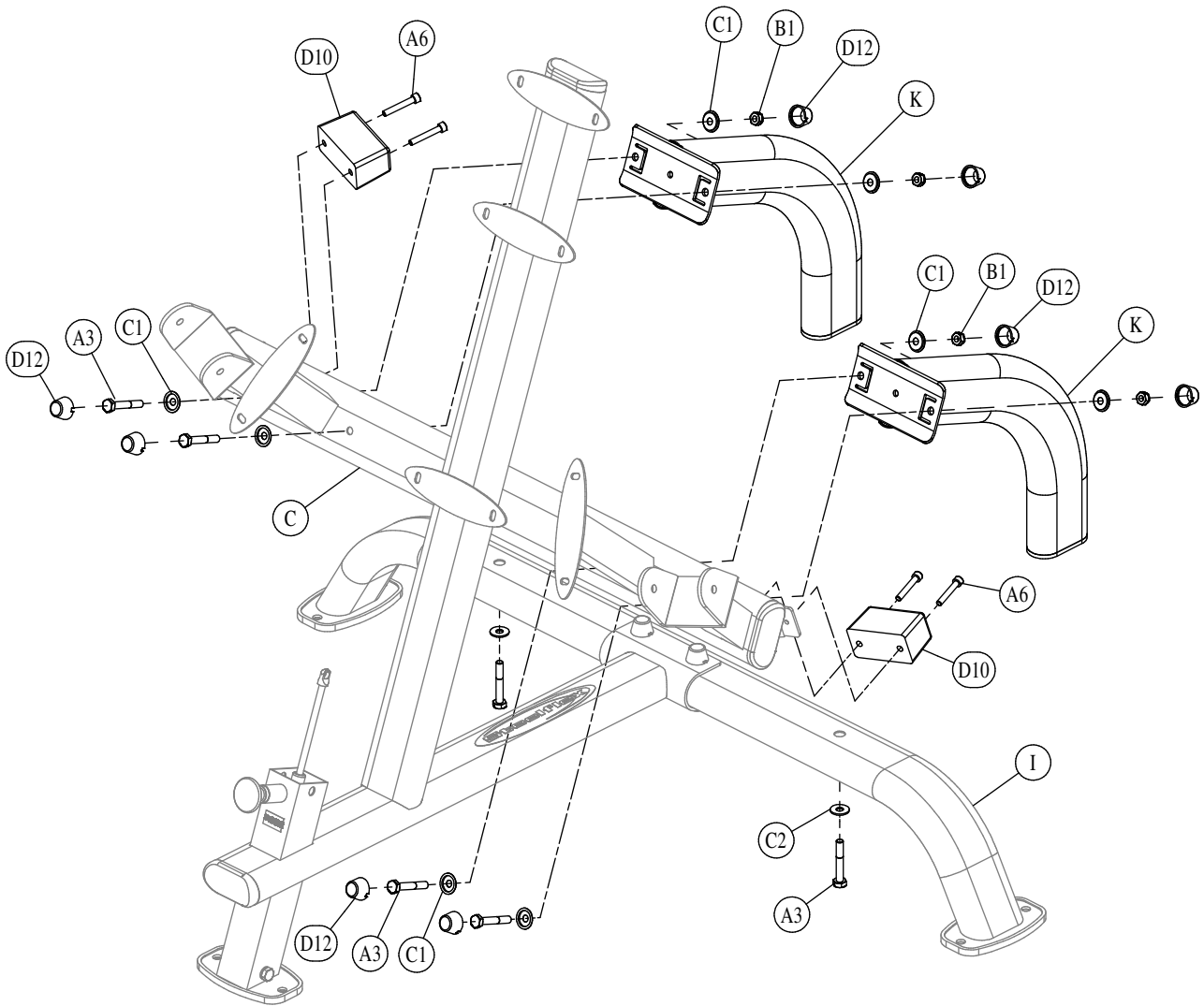


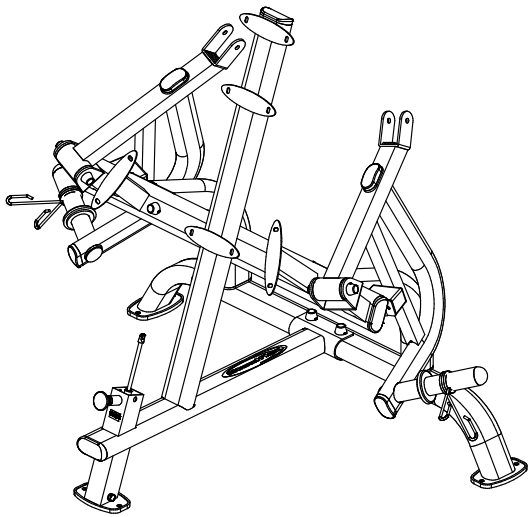
Above shows STEP 1
assembled and completed



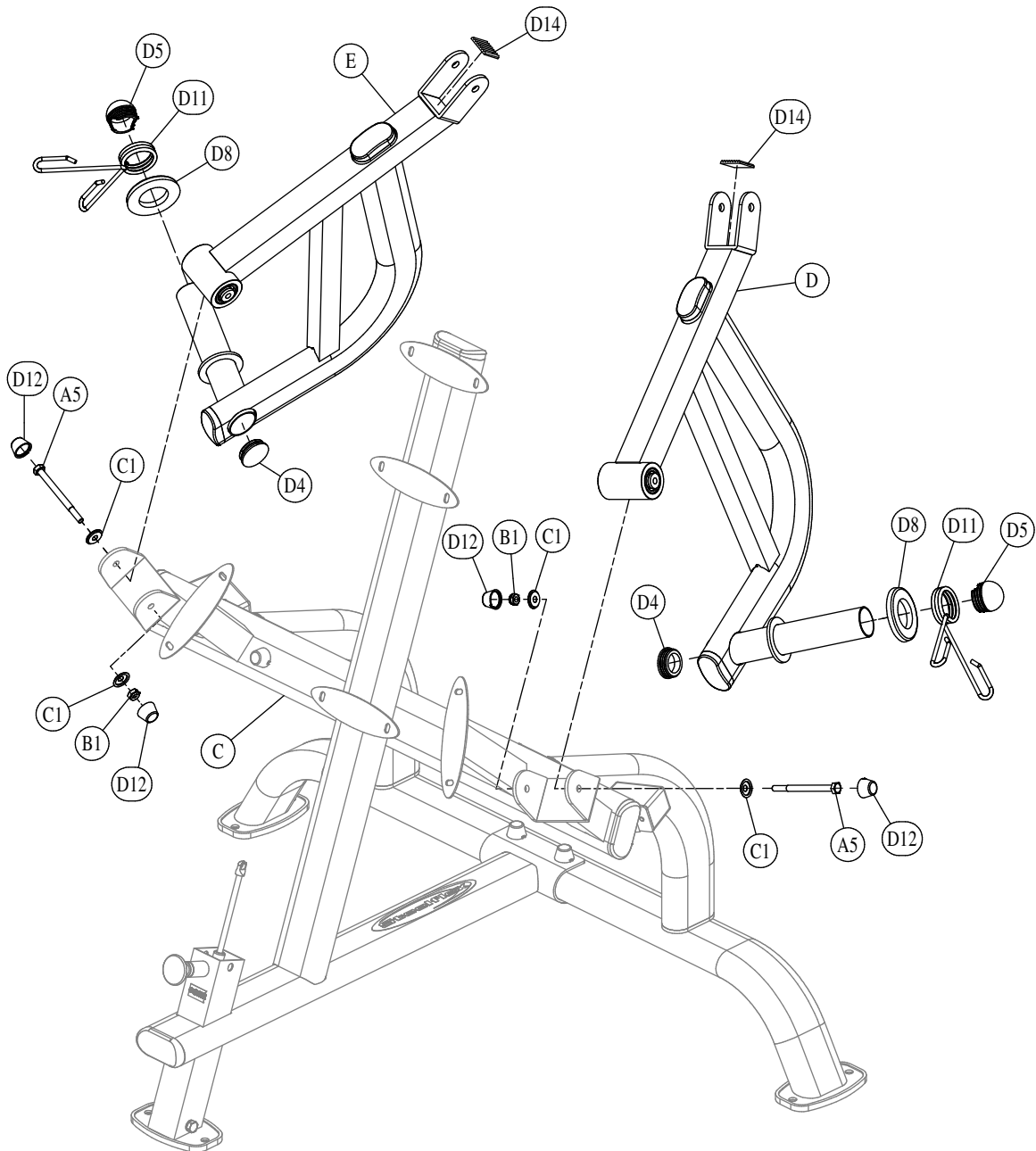


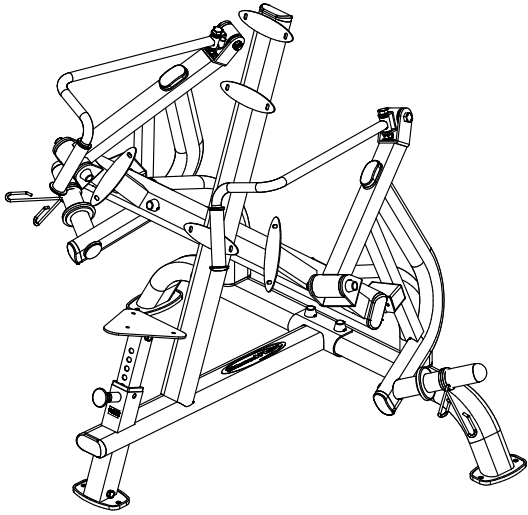
Above shows STEP 2 assembled and completed



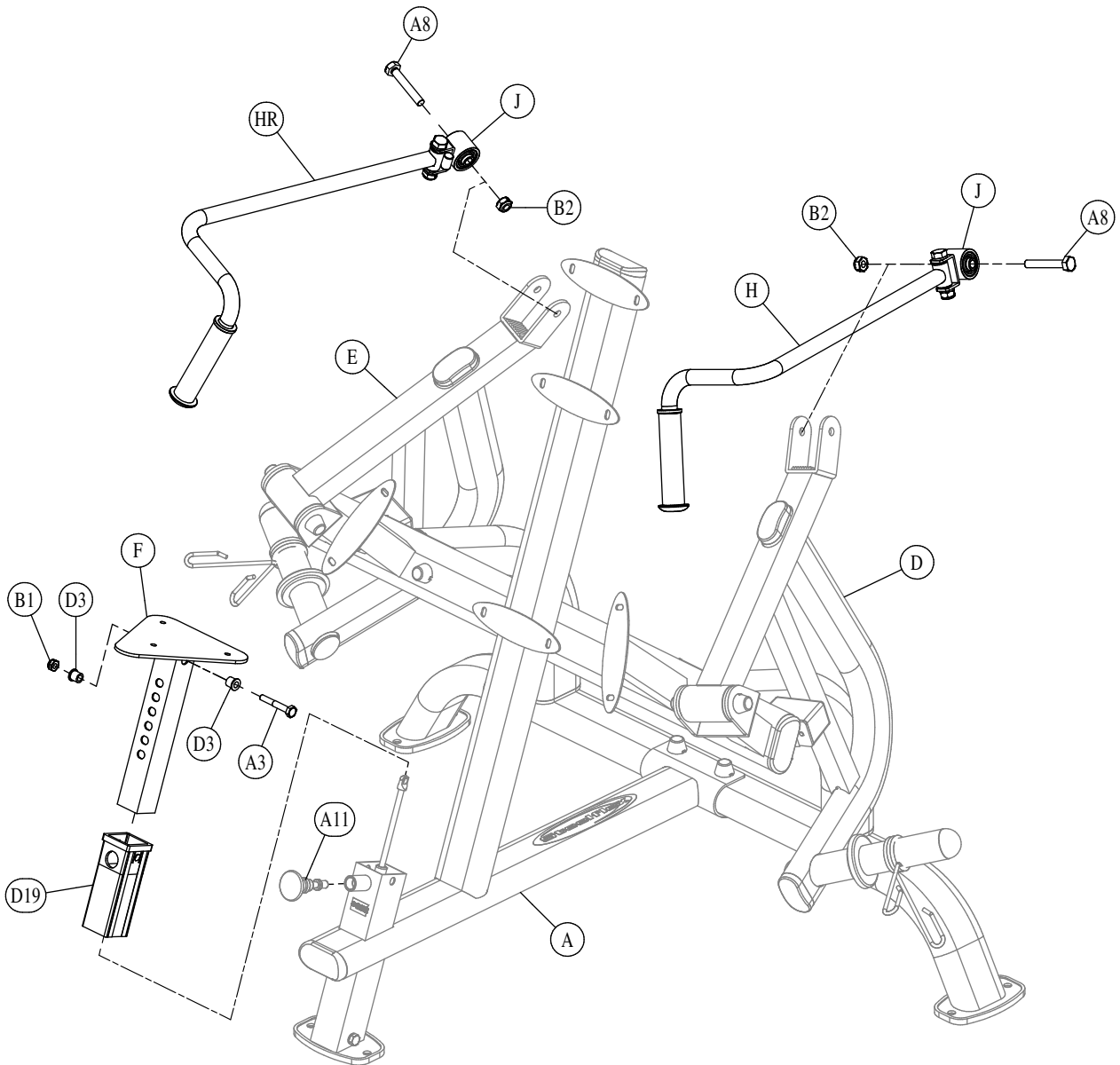


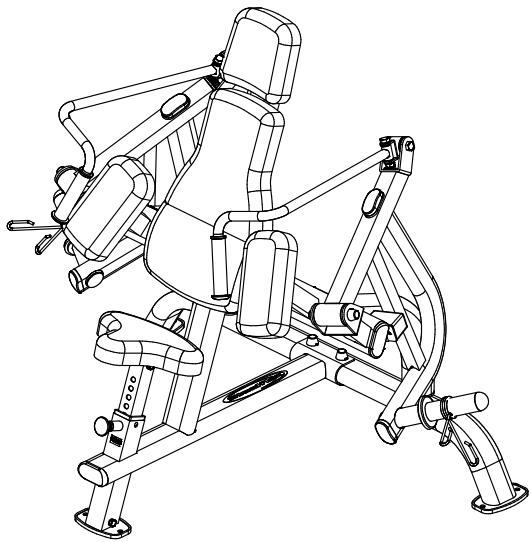
Above shows STEP 3 assembled and completed



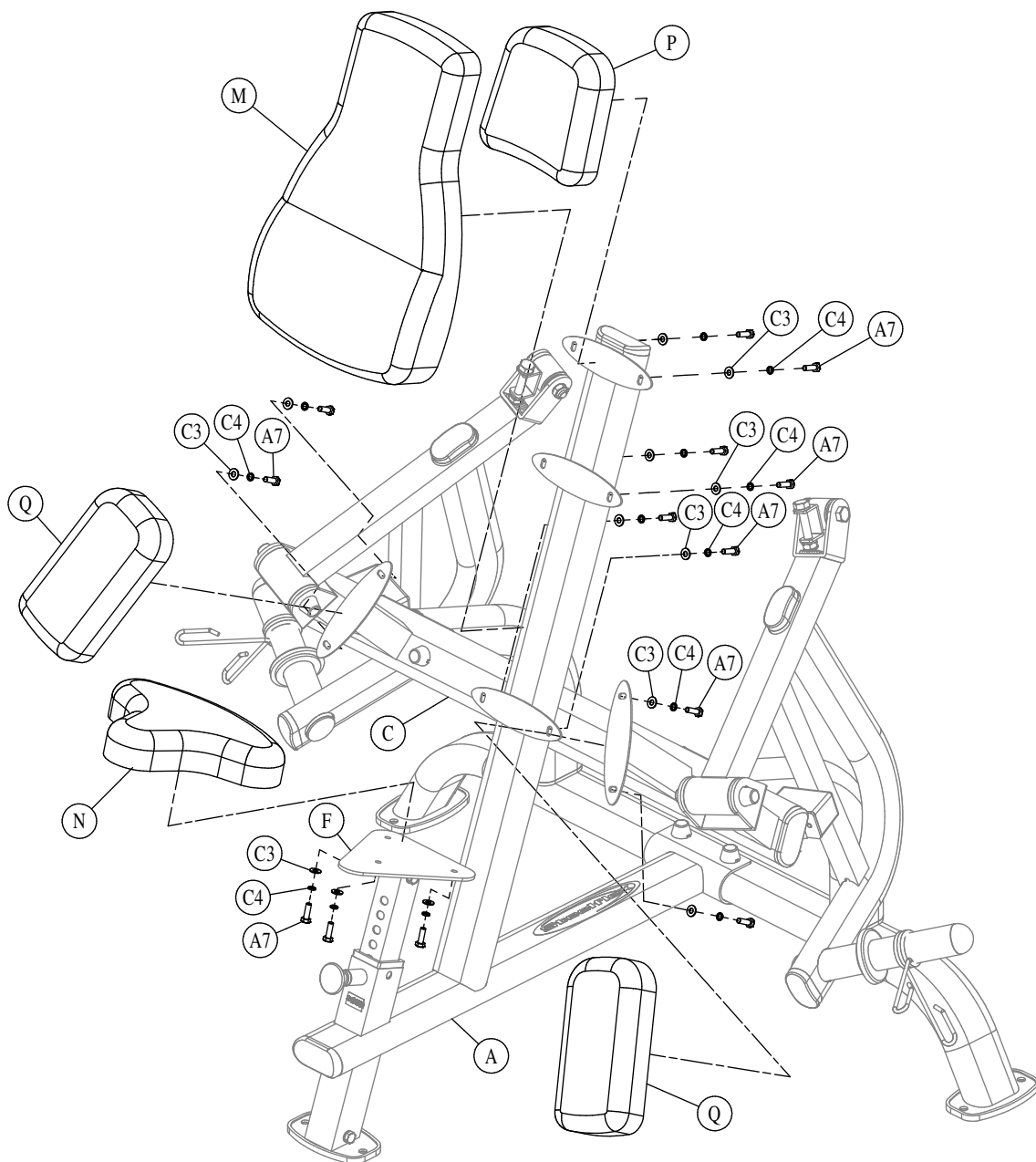


Above shows STEP 4 assembled and completed

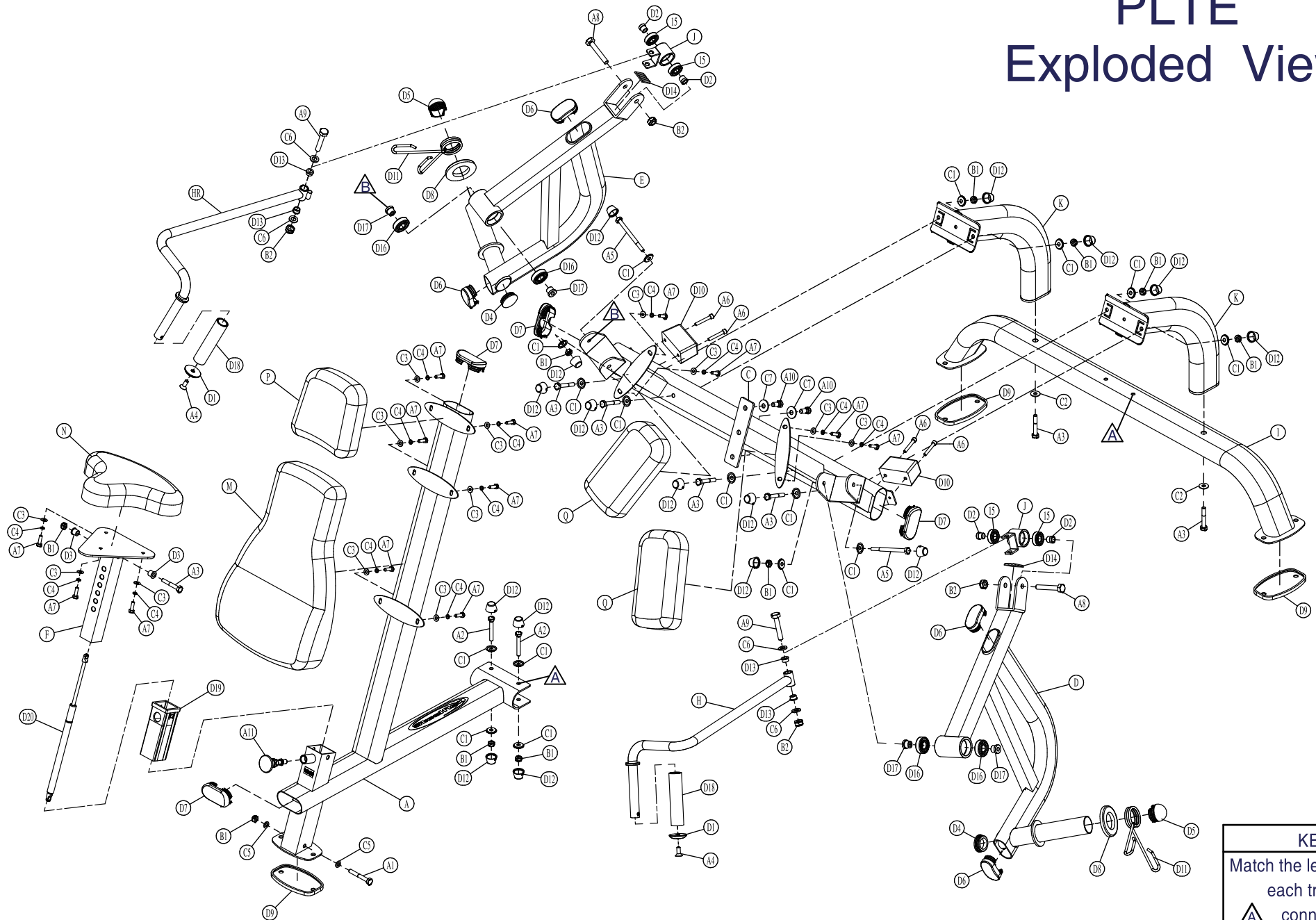




Above shows STEP 5 assembled and completed



PLTE Exploded View



KEY			
Match the letters inside each triangle			
▲ A	connects	▲ A	
▲ B	connects	▲ B	